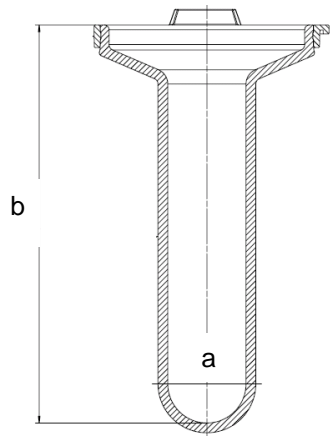




Part Mini Vessel
Part Number 14535-01
Serial Number 95745 - 95751



		Tolerances	
Dimensions	Vessel	Inside Ø a	40 mm ± 1 mm
		Height b	203.8 mm ± 0.5 mm
		With hemispherical bottom	
Material	Borosilicate glass		

The accuracy of the above mentioned part dimensions have been examined. All relevant measurements are within tolerance and the factory acceptance test has passed.

Aesch, 2023-05-11



Michael Schmidlin
SOTAX Quality Management
SOTAX AG | Nordring 1 | 4147 Aesch | Switzerland

Test Certificate