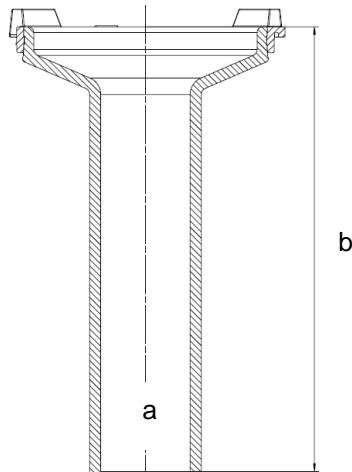




# Test Certificate

Part Vessel for Enhancer Cell  
Part Number 14534-01  
Serial Number 84456 - 84469



		Tolerances		
Dimensions	Vessel	Inside Ø a	40.0 mm	± 1.0 mm
		Height b	199.0 mm	± 0.5 mm
Material	Borosilicate glass			

The accuracy of the above mentioned part dimensions have been examined. All relevant measurements are within tolerance and the factory acceptance test has passed.

Aesch, 2020-11-27

Bruno Balli  
SOTAX Quality Management  
SOTAX AG | Nordring 1 | 4147 Aesch | Switzerland