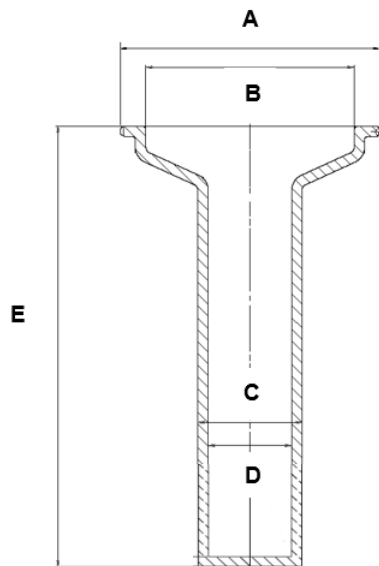




Part Vessel Mini Stirrer
 Part Number 10649
 Serial Number 75468



		Tolerances		
Dimensions	Vessel	Outside Ø A	124.5 mm	+ 0.3 / - 0.2 mm
		Inside Ø B	100.0 mm	± 0.5 mm
		Outside Ø C	50.0 mm	± 1.0 mm
		Inside Ø D	40.0 mm	± 1.0 mm
		Height E	204.5 mm	± 0.5 mm
Material	Borosilicate glass			

The accuracy of the above mentioned part dimensions have been examined. All relevant measurements are within tolerance and the factory acceptance test has passed.

Aesch, 2018-07-26

Bruno Balli
 SOTAX Quality Management
 SOTAX AG | Nordring 1 | 4147 Aesch | Switzerland

Test Certificate