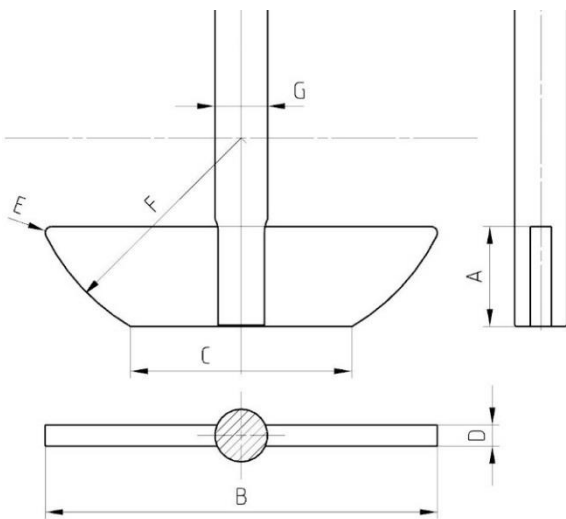


Certificate of Compliance

Part Description: **Paddle with Stirring Shaft**
 Part Number: 7525-05
 Serial Number: H160501 - H161125

For SOTAX SDT - Dissolution Testing Systems



Parameter	USP <711> Dissolution	Actual
A Height:	18.50 – 19.50	18.90 – 19.10
B Upper length:	74.00 – 75.00	74.40 – 74.60
C Lower length:	41.00 – 43.00	41.90 – 42.10
D Size:	3.00 – 5.00	3.85 – 4.15
E Radius:	1.00 – 1.40	1.15 – 1.25
F Radius:	40.50 – 42.50	41.40 – 41.60
G Diameter:	9.40 – 10.10	9.98 – 10.00
Material:	Stainless Steel	

All readings are in mm

The accuracy of the above mentioned part dimensions have been examined in accordance to ISO-Norm ISO 2859. All used instruments are controlled by the SOTAX measuring equipment monitoring according ISO 9001.

All relevant measurements are within tolerance and the factory acceptance test has passed. The dimensions are in conformance with USP Pharmacopeia requirements (at time of delivery).

Inspected

Name: Moreshwar Pulekar

Date: 25-08-2017

Signature:

15:01:44 - 25.08.2017