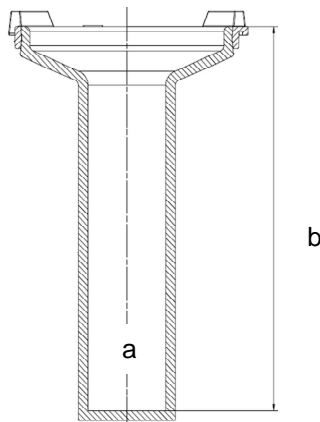


Test Certificate

Part: **Vessel for Enhancer Cell**
Number: 14534-01
Serial Number: 58905 - 58940

For SOTAX AT Dissolution Testing Systems



Dimensions: Inside Ø a 40 mm +/- 1 mm
 Height b 199 mm +/- 0.5mm

 With flat bottom

Material: Borosilicate glass

The accuracy of the above mentioned part dimensions have been examined. All relevant measurements are within tolerance and the factory acceptance test has passed.

SOTAX Quality Management
Bruno Balli
2014-10-06


Signature